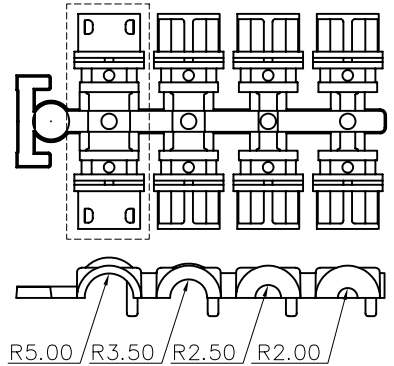
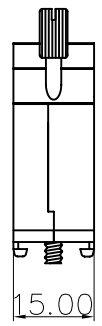
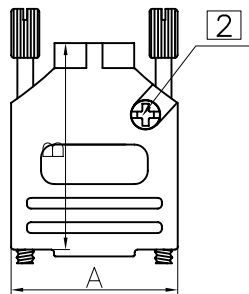
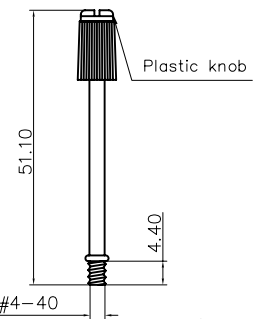
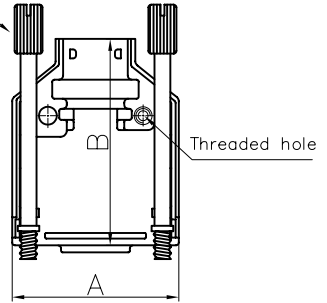
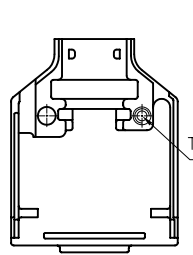


This document is the property of Amphenol Corporation and is delivered on the express condition that it is not to be disclosed, reproduced or used, in whole or in part, for manufacture or sale by anyone other than Amphenol Corporation without its prior consent, & that no right is granted to disclose or to use any information in this document.

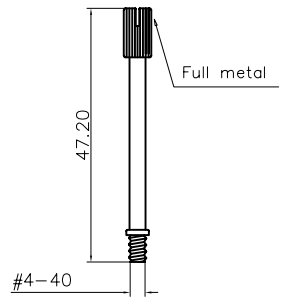


Cable strain relief

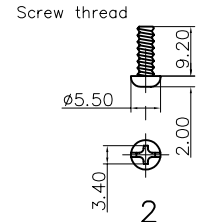


1

Thumb screw



Full metal



2

Screw

| Part Number       | A                | B                | Part Number    |
|-------------------|------------------|------------------|----------------|
| L17D TZK 09K FM T | 31<br>(1.220")   | 38.3<br>(1.508") | L17D TZK 09K T |
| L17D TZK 15K FM T | 39.5<br>(1.555") | 40.5<br>(1.594") | L17D TZK 15K T |
| L17D TZK 25K FM T | 53.4<br>(2.102") | 48.2<br>(1.897") | L17D TZK 25K T |
| L17D TZK 37K FM T | 70<br>(2.755")   | 52.2<br>(2.055") | L17D TZK 37K T |

Customer drawing

| REVISIONS |     |             |          |          |
|-----------|-----|-------------|----------|----------|
| SYM       | ECN | DESCRIPTION | DATE     | APPROVED |
| 1         |     |             | 06/06/08 |          |

D-SUB TECHNICAL DATA

Material and finish:  
 Shell: die-cast, nickel plated  
 Thumb screws: with metal knob, nickel plated  
 Screws: Steel, blue chromate plating, Philips head  
 Cable strain relief: Plastic UL94 V-0  
 Temperature range: -40°C to 120°C  
 Cable diameter: 4.0-13.0mm  
 Attenuation factor: >40 dB between 30 MHz and 1 GHz

PRODUCT CODE

L 17DTZK XX K XX T

|                      |  |
|----------------------|--|
| RoHS Compliance      | T: with threaded backshell, not self-tapering type                 |
| Series 17DTZK:180°   |  |
| Position: 9,15,25,37 | FM: Full steel metal screwlock<br>Blank: plastic knob on screwlock |
| Bulk Package         |  |

| UNLESS OTHERWISE SPECIFIED TOLERANCES |        | APPROVAL            |          | DATE     |
|---------------------------------------|--------|---------------------|----------|----------|
| U.S.                                  | METRIC | DRAWN               | Sunny Li | 06/06/08 |
| .X +/-                                | 0.50   | CHECKED             | kk.wang  | 06/06/08 |
| .XX +/-                               | 0.30   | CHECKED             |          |          |
| .XXX +/-                              | 0.20   |                     |          |          |
| FRACTIONS +/-                         | 2'     |                     |          |          |
| ANGLES +/-                            |        |                     |          |          |
| FOR MATERIALS AND FINISHES SEE NOTES  |        | DRAWING FILE :      |          |          |
| REMOVE SHARP EDGES                    |        | ANGLE OF PROJECTION |          |          |
| DIMENSIONS                            |        |                     |          |          |
| U.S.                                  | INCHES |                     |          |          |
| METRIC                                | MM     |                     |          |          |

Amphenol®

TITLE  
Metal Hood DTZK series

|       |                     |              |
|-------|---------------------|--------------|
| SIZE  | DRAWING NO.         | REV.         |
| A4    | C L17D TZK XXX XX T | 1            |
| SCALE | NONE                | SHEET 1 OF 4 |

This document is the property of Amphenol Corporation and is delivered on the express condition that it is not to be disclosed, reproduced or used, in whole or in part, for manufacture or sale by anyone other than Amphenol Corporation without its prior consent, & that no right is granted to disclose or to use any information in this document.

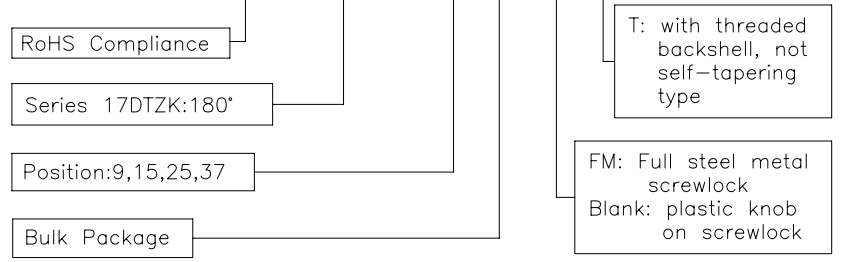
| REVISIONS |     |             |          |          |
|-----------|-----|-------------|----------|----------|
| SYM       | ECN | DESCRIPTION | DATE     | APPROVED |
| 1         |     |             | 06/06/08 |          |

**D-SUB TECHNICAL DATA**

Material and finish:  
 Shell: die-cast, nickel plated  
 Thumb screws: with metal knob, nickel plated  
 Screws: Steel, blue chromate plating, Philips head  
 Cable strain relief: Plastic UL94 V-0  
 Temperature range: -40°C to 120°C  
 Cable diameter: 4.0-13.0mm  
 Attenuation factor: >40 dB between 30 MHz and 1 GHz

**PRODUCT CODE**

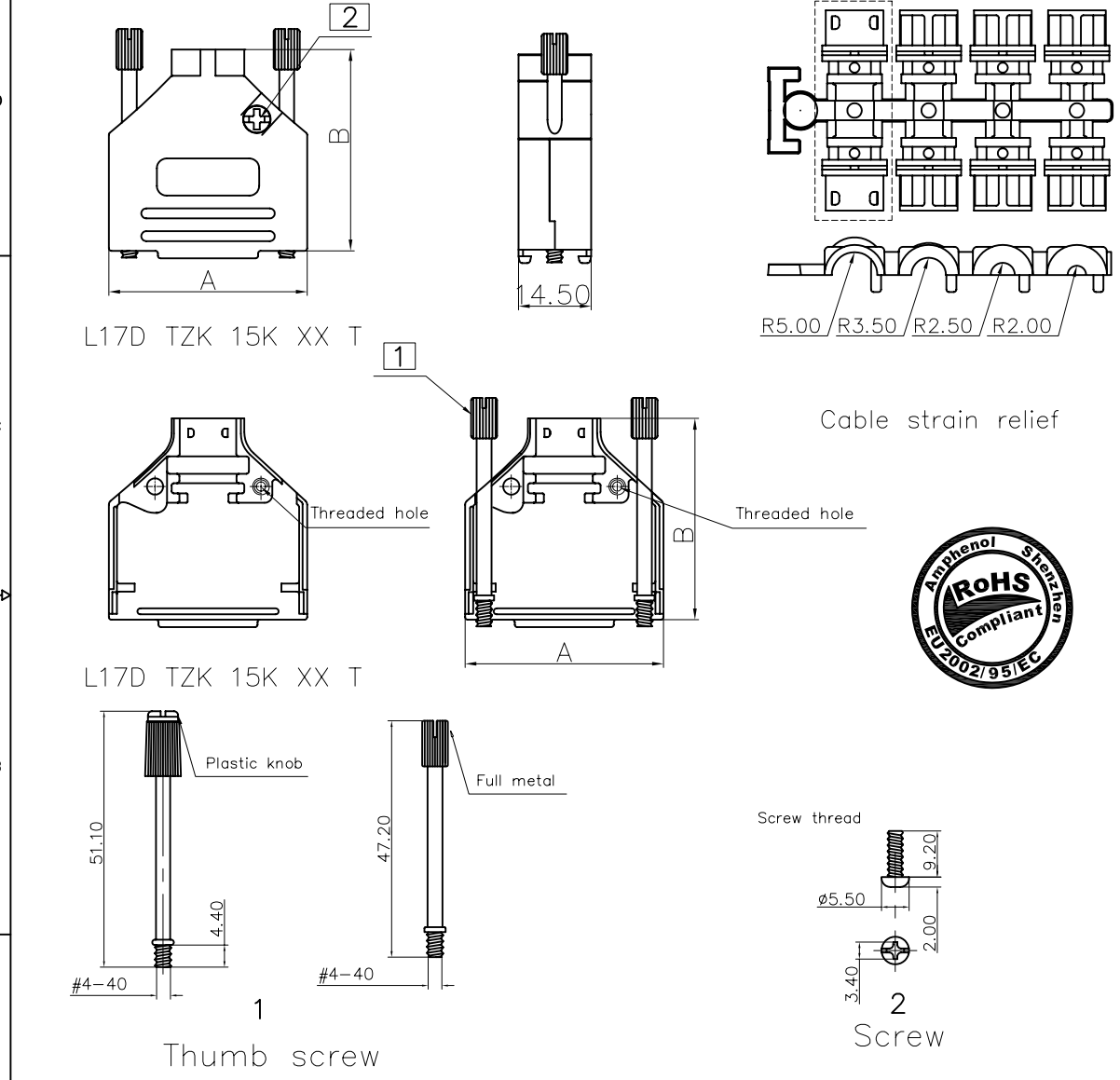
**L 17DTZK XX K XX T**



|   |   |                     |                                     |
|---|---|---------------------|-------------------------------------|
| UNLESS OTHERWISE SPECIFIED<br><b>TOLERANCES</b><br>U.S. METRIC<br>.X +/- 0.50<br>.XX +/- 0.30<br>.XXX +/- 0.20<br>FRACTIONS +/-<br>ANGLES +/- 2°<br>FOR MATERIALS AND FINISHES<br>SEE NOTES<br>REMOVE SHARP EDGES<br>DIMENSIONS<br>U.S. INCHES<br>METRIC MM | <b>APPROVAL</b><br>DRAWN Sunny Li<br>CHECKED Hk.wang<br>CHECKED |                     | <b>DATE</b><br>06/06/08<br>06/06/08 |
|   | <b>DRAWING FILE :</b>   |                     |                                     |
|   | <b>ANGLE OF PROJECTION</b><br>                                  |                     |                                     |
|   | <b>SIZE</b> DRAWING NO. REV.<br>A4 C L17D TZK XXX XX T 1        |                     |                                     |
| <b>SCALE</b> NONE   |   | <b>SHEET 2 OF 4</b> |                                     |

Amphenol®  
**Metal Hood DTZK series**

Customer drawing



| Part Number       | A                | B                | Part Number    |
|-------------------|------------------|------------------|----------------|
| L17D TZK 09K FM T | 31<br>(1.220")   | 38.3<br>(1.508") | L17D TZK 09K T |
| L17D TZK 15K FM T | 39.5<br>(1.555") | 40.5<br>(1.594") | L17D TZK 15K T |
| L17D TZK 25K FM T | 53.4<br>(2.102") | 48.2<br>(1.897") | L17D TZK 25K T |
| L17D TZK 37K FM T | 70<br>(2.755")   | 52.2<br>(2.055") | L17D TZK 37K T |

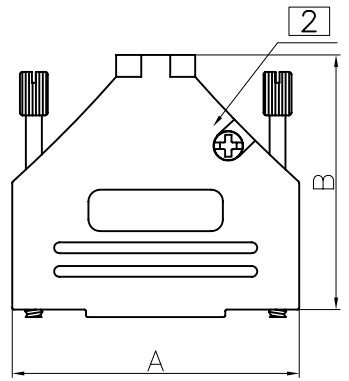
This document is the property of Amphenol Corporation and is delivered on the express condition that it is not to be disclosed, reproduced or used, in whole or in part, for manufacture or sale by anyone other than Amphenol Corporation without its prior consent, & that no right is granted to disclose or to use any information in this document.

**REVISIONS**

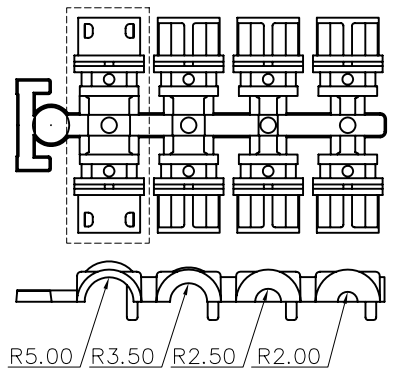
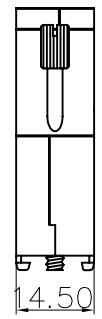
| SYM | ECN | DESCRIPTION | DATE     | APPROVED |
|-----|-----|-------------|----------|----------|
| 1   |     |             | 06/06/08 |          |

**D-SUB TECHNICAL DATA**

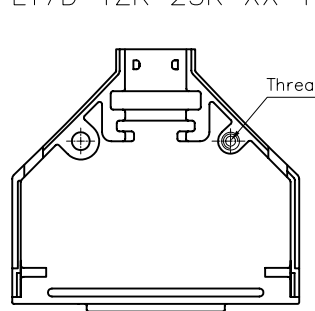
Material and finish:  
 Shell: die-cast, nickel plated  
 Thumb screws: with metal knob, nickel plated  
 Screws: Steel, blue chromate plating, Philips head  
 Cable strain relief: Plastic UL94 V-0  
 Temperature range: -40°C to 120°C  
 Cable diameter: 4.0-13.0mm  
 Attenuation factor: >40 dB between 30 MHz and 1 GHz



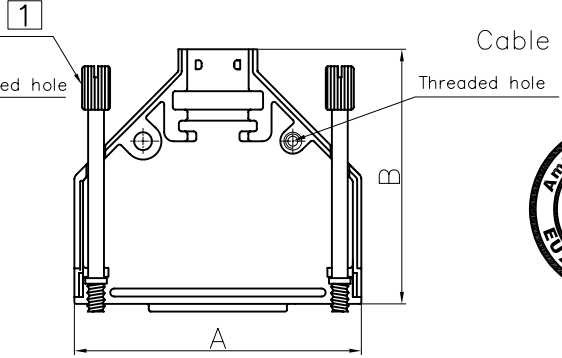
L17D TZK 25K XX T



Cable strain relief

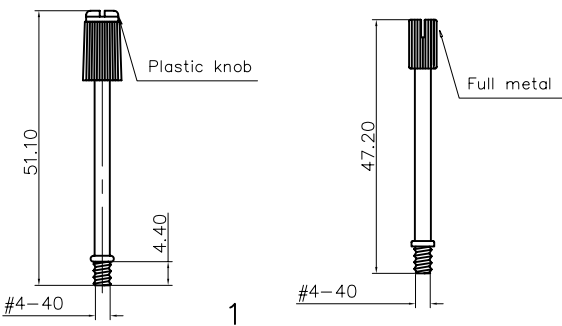
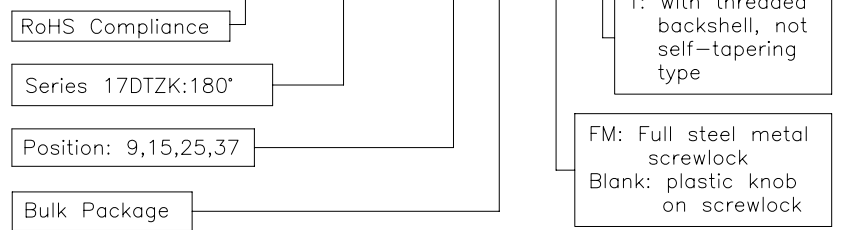


L17D TZK 25K XX T



**PRODUCT CODE**

**L 17DTZK XX K XX T**



Thumb screw

Screw

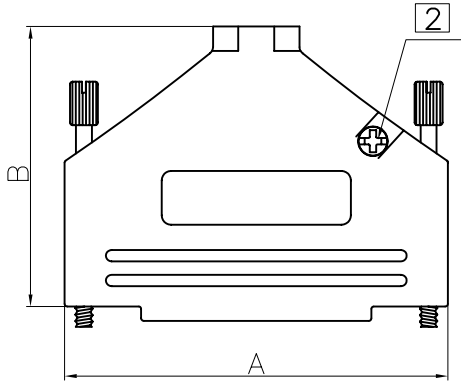
| Part Number       | A                | B                | Part Number    |
|-------------------|------------------|------------------|----------------|
| L17D TZK 09K FM T | 31<br>(1.220")   | 38.3<br>(1.508") | L17D TZK 09K T |
| L17D TZK 15K FM T | 39.5<br>(1.555") | 40.5<br>(1.594") | L17D TZK 15K T |
| L17D TZK 25K FM T | 53.4<br>(2.102") | 48.2<br>(1.897") | L17D TZK 25K T |
| L17D TZK 37K FM T | 70<br>(2.755")   | 52.2<br>(2.055") | L17D TZK 37K T |

Customer drawing

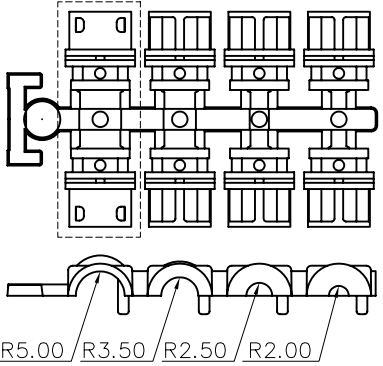
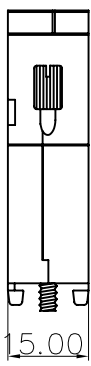
| UNLESS OTHERWISE SPECIFIED TOLERANCES |          | APPROVAL            |          | DATE     |
|---------------------------------------|----------|---------------------|----------|----------|
| U.S.                                  | METRIC   | DRAWN               | SUNNY LI | 06/06/08 |
| .X                                    | +/- 0.50 | CHECKED             | Wk.wang  | 06/06/08 |
| .XX                                   | +/- 0.30 | CHECKED             |          |          |
| .XXX                                  | +/- 0.20 |                     |          |          |
| FRACTIONS                             | +/- 2'   |                     |          |          |
| ANGLES                                | +/-      |                     |          |          |
| FOR MATERIALS AND FINISHES SEE NOTES  |          | DRAWING FILE :      |          |          |
| REMOVE SHARP EDGES                    |          | ANGLE OF PROJECTION |          |          |
| DIMENSIONS                            |          |                     |          |          |
| U.S.                                  | INCHES   |                     |          |          |
| METRIC                                | MM       |                     |          |          |

|                                 |                     |              |
|---------------------------------|---------------------|--------------|
| Amphenol®                       |                     |              |
| TITLE<br>Metal Hood DTZK series |                     |              |
| SIZE                            | DRAWING NO.         | REV.         |
| A4                              | C L17D TZK XXX XX T | 1            |
| SCALE                           | NONE                | SHEET 3 OF 4 |

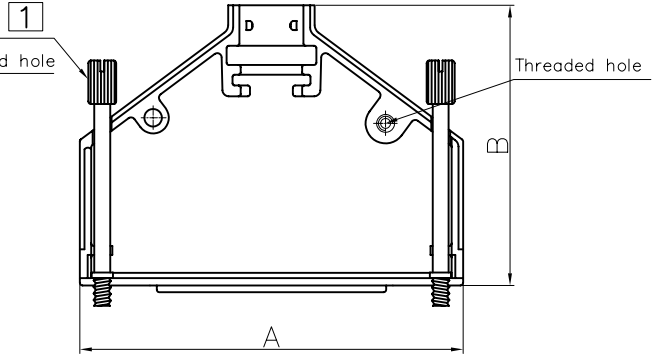
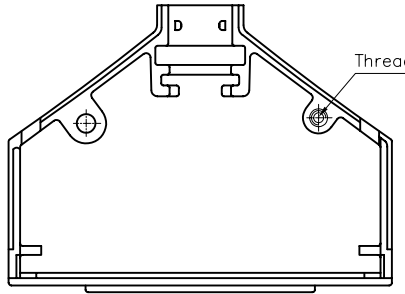
This document is the property of Amphenol Corporation and is delivered on the express condition that it is not to be disclosed, reproduced or used, in whole or in part, for manufacture or sale by anyone other than Amphenol Corporation without its prior consent, & that no right is granted to disclose or to use any information in this document.



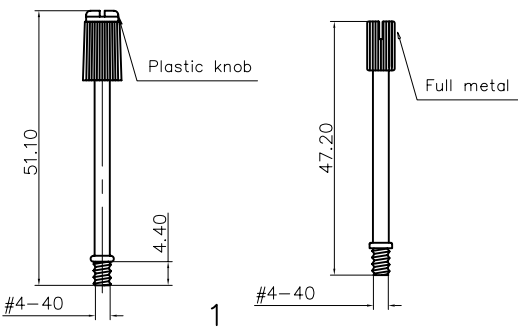
L17D TZK 37K XX T



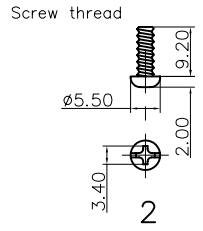
Cable strain relief



L17D TZK 37K XX T



Thumb screw



Screw



Customer drawing

| Part Number       | A                | B                | Part Number    |
|-------------------|------------------|------------------|----------------|
| L17D TZK 09K FM T | 31<br>(1.220")   | 38.3<br>(1.508") | L17D TZK 09K T |
| L17D TZK 15K FM T | 39.5<br>(1.555") | 40.5<br>(1.594") | L17D TZK 15K T |
| L17D TZK 25K FM T | 53.4<br>(2.102") | 48.2<br>(1.897") | L17D TZK 25K T |
| L17D TZK 37K FM T | 70<br>(2.755")   | 52.2<br>(2.055") | L17D TZK 37K T |

| REVISIONS |     |             |          |          |
|-----------|-----|-------------|----------|----------|
| SYM       | ECN | DESCRIPTION | DATE     | APPROVED |
| 1         |     |             | 06/06/08 |          |

D-SUB TECHNICAL DATA

Material and finish:  
 Shell: die-cast, nickel plated  
 Thumb screws: with metal knob, nickel plated  
 Screws: Steel, blue chromate plating, Philips head  
 Cable strain relief: Plastic UL94 V-0  
 Temperature range: -40°C to 120°C  
 Cable diameter: 4.0-13.0mm  
 Attenuation factor: >40 dB between 30 MHz and 1 GHz

PRODUCT CODE

L 17DTZK XX K XX T

|                     |  |
|---------------------|--|
| RoHS Compliance     | T: with threaded backshell, not self-tapering type                 |
| Series 17DTZK:180°  |  |
| Position:9,15,25,37 |  |
| Bulk Package        | FM: Full steel metal screwlock<br>Blank: plastic knob on screwlock |

| UNLESS OTHERWISE SPECIFIED TOLERANCES |        | APPROVAL            |          | DATE     |
|---------------------------------------|--------|---------------------|----------|----------|
| U.S.                                  | METRIC | DRAWN               | Sunny-Li | 06/06/08 |
| .X +/-                                | 0.50   | CHECKED             | kk.wang  | 06/06/08 |
| .XX +/-                               | 0.30   | CHECKED             |          |          |
| .XXX +/-                              | 0.20   |                     |          |          |
| FRACTIONS +/-                         |        |                     |          |          |
| ANGLES +/-                            | 2'     |                     |          |          |
| FOR MATERIALS AND FINISHES SEE NOTES  |        | DRAWING FILE :      |          |          |
| REMOVE SHARP EDGES                    |        | ANGLE OF PROJECTION |          |          |
| DIMENSIONS                            |        |                     |          |          |
| U.S.                                  | INCHES |                     |          |          |
| METRIC                                | MM     |                     |          |          |

Amphenol®

TITLE  
Metal Hood DTZK series

SIZE DRAWING NO.  
A4 C L17D TZK XXK XX T

SCALE NONE SHEET 4 OF 4

REV. 1